

RG..R-ECblue

for three phase alternating current, 200-240 V

RG40R-ZIK

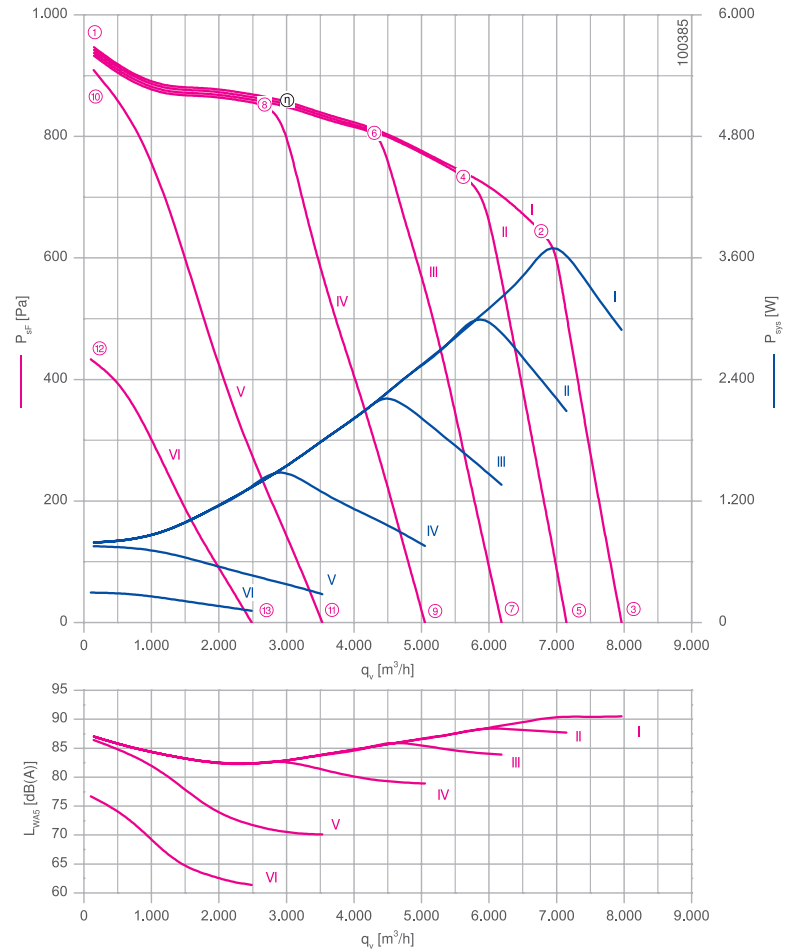


Description

Motor technology: EC
 Rated voltage U: **3-200-240 V***
 Rated frequency f: **50/60 Hz***
 Motor input power P: **3.70 kW***
 Rated current I: **11.50-9.60 A***
 Rated speed n: **1270 min⁻¹***
 Thermal class: **THCL155***
 Min. permitted ambient temperature t_{r1} : -20 °C
 Max. permitted ambient temperature t_{r2} at n_{max} : 40 °C
 Electrical connection: integrated Controller
 Number of blades : 38
 Balancing quality: G 6.3
 Protection class: IP54
 Motor protection: Integrated active temperature management
 Impeller : Galvanised sheet metal, uncoated
 Conformity: ErP 2015, CE

ErP-data
 Efficiency η_{statA} : 51.0 %
 Efficiency: $N_{actual} = 56.2 / N_{target} = 44^{**}$
 EC controller integrated
 *Rated data
 **ErP 2015

Characteristic curve

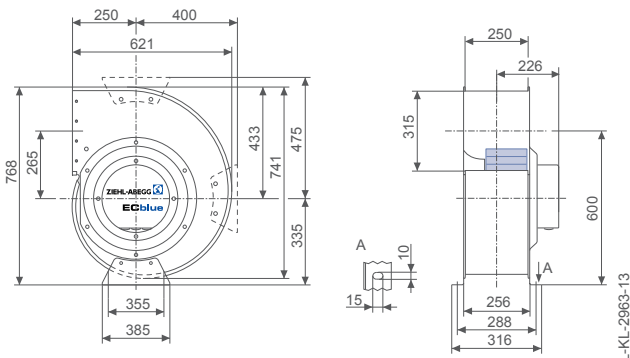


Measured with inlet ring, without guard grille according to ISO 5801

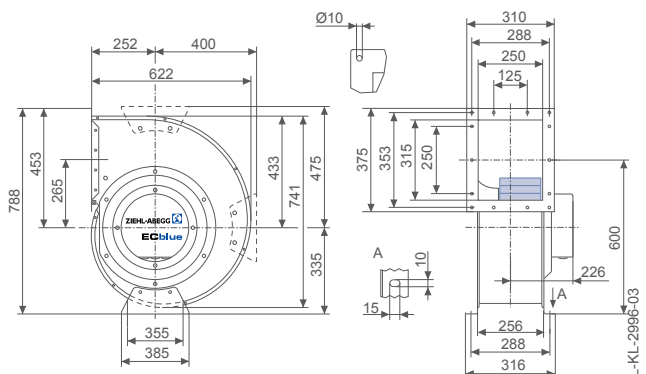
- Inlet ring 00411507 Page 264
- Connection diagram 1360-401 Page 366
- System components Page 262

Dimensions [mm]

Fan with housing, single inlet, without flange



Fan with housing, single inlet, with flange






Performance data




Type	Characteristic curve	Speed	Speed	Operating point	Current	Motor input power	Suction side sound power level	Maximum ambient temperature
		n [min ⁻¹]	%					
RG40R-ZIK.GL.4R	I	1270	100	①	2.20	780	87	40
		1270		②	10.00	3700	90	
		950		③	7.80	2900	91	
	II	1270	80	④	8.00	3000	88	60
		860		⑤	5.60	2100	88	
		1270		⑥	6.00	2200	86	
	III	750	60	⑦	3.70	1350	84	
		1270	100	⑧	4.00	1500	83	
	IV	610	40	⑨	2.10	760	79	
		1250	100	⑩	2.10	760	86	
	V	430	20	⑪	0.84	280	70	
		870	70	⑫	0.88	300	77	
	VI	310	10	⑬	0.46	120	61	

Current values determined at 230V

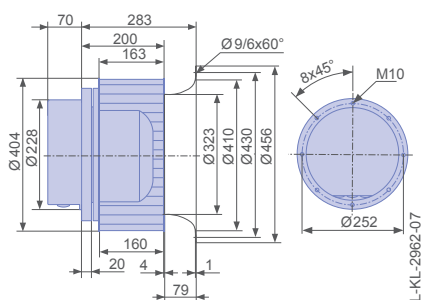
Fan ordering information

Design	RG (without flange)	RG (with flange)	RE
Installation position	H	H	H/Vu/Vo
			
Type	RG40R-ZIK.GL.4R	RG40R-ZIK.GL.4R	RE40P-ZIK.GL.1R
Article no.	114943	114944	114933
Weight [kg]	41.00	42.00	25.00
* Inlet ring not included			

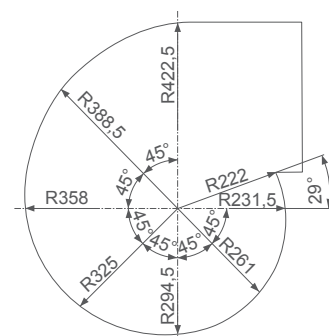
Control technology

Control module	Operating terminal	Expansion module
		
➔ Page 282	➔ Page 294	➔ Page 291

Motorised impeller



Used housing



RG..R-ECblue

for three phase alternating current, 380-480 V

RG40R-ZIK

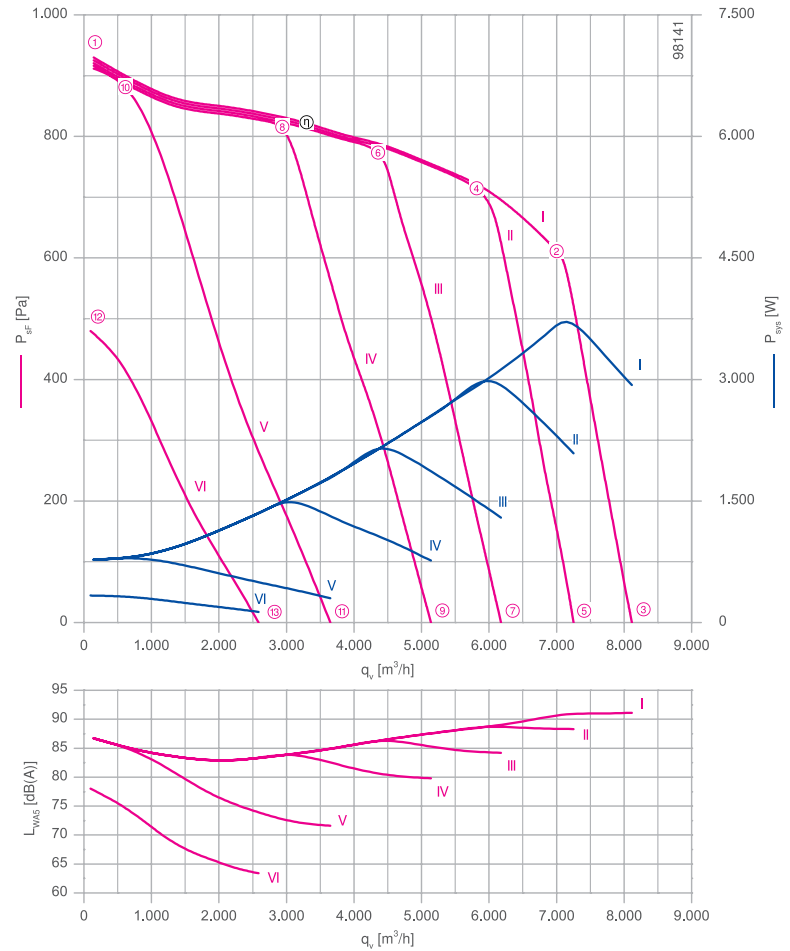


Description

Motor technology: EC
 Rated voltage U: **3-380-480 V***
 Rated frequency f: **50/60 Hz***
 Motor input power P: **3.70 kW***
 Rated current I: **6.00-4.80 A***
 Rated speed n: **1260 min⁻¹***
 Thermal class: **THCL155***
 Min. permitted ambient temperature t_{r1} : -20 °C
 Max. permitted ambient temperature t_{r2} at n_{max} : 40 °C
 Electrical connection: integrated Controller
 Number of blades : 38
 Balancing quality: G 6.3
 Protection class: IP54
 Motor protection: Integrated active temperature management
 Impeller : Galvanised sheet metal, uncoated
 Conformity: ErP 2015, CE

ErP-data
 Efficiency η_{statA} : 50.6 %
 Efficiency: $N_{actual} = 55.6 / N_{target} = 44^{**}$
 EC controller integrated
 *Rated data
 **ErP 2015

Characteristic curve

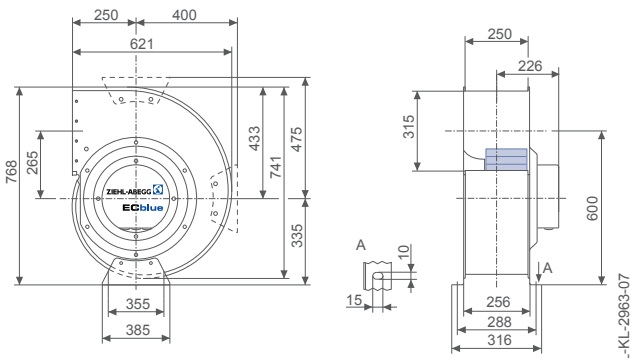


measured with inlet ring, without guard grille according to ISO 5801

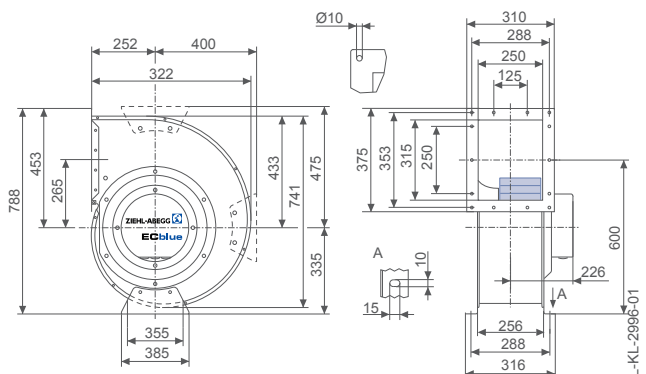
- Inlet ring 00411507 Page 264
- Connection diagram 1360-401 Page 366
- System components Page 262

Dimensions [mm]

Fan with housing, single inlet, without flange



Fan with housing, single inlet, with flange






Performance data




Type	Characteristic curve	Speed	Speed	Operating point	Current	Motor input power	Suction side sound power level	Maximum ambient temperature
		n [min ⁻¹]	%					
RG40R-ZIK.GL.4R	I	1260	100	①	1.30	780	87	40
		1260		②	5.80	3700	91	
		960		③	4.40	2900	91	
	II	1260	80	④	4.60	3000	89	60
		860		⑤	3.20	2100	88	
	III	1260	100	⑥	3.30	2200	86	
		730		⑦	2.00	1300	84	
	IV	1260	100	⑧	2.30	1500	84	
		610		⑨	1.30	760	80	
	V	1260	100	⑩	1.35	800	85	
		440		⑪	0.68	300	72	
	VI	920	70	⑫	0.74	330	78	
		320		⑬	0.42	130	63	

Current values determined at 400V

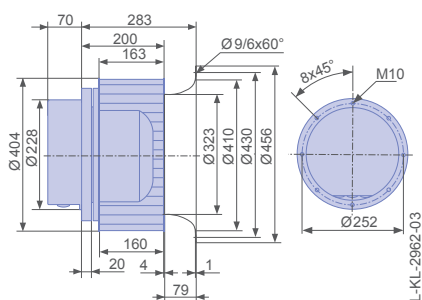
Fan ordering information

Design	RG (without flange)	RG (with flange)	RE
Installation position	H	H	H/Vu/Vo
			
Type	RG40R-ZIK.GL.4R	RG40R-ZIK.GL.4R	RE40P-ZIK.GL.1R
Article no.	114803	114804	114789
Weight [kg]	41.00	42.00	25.00
* Inlet ring not included			

Control technology

Control module	Operating terminal	Expansion module
		
➔ Page 282	➔ Page 294	➔ Page 291

Motorised impeller



Used housing

