

RG..R-ECblue

for three phase alternating current, 200-240 V

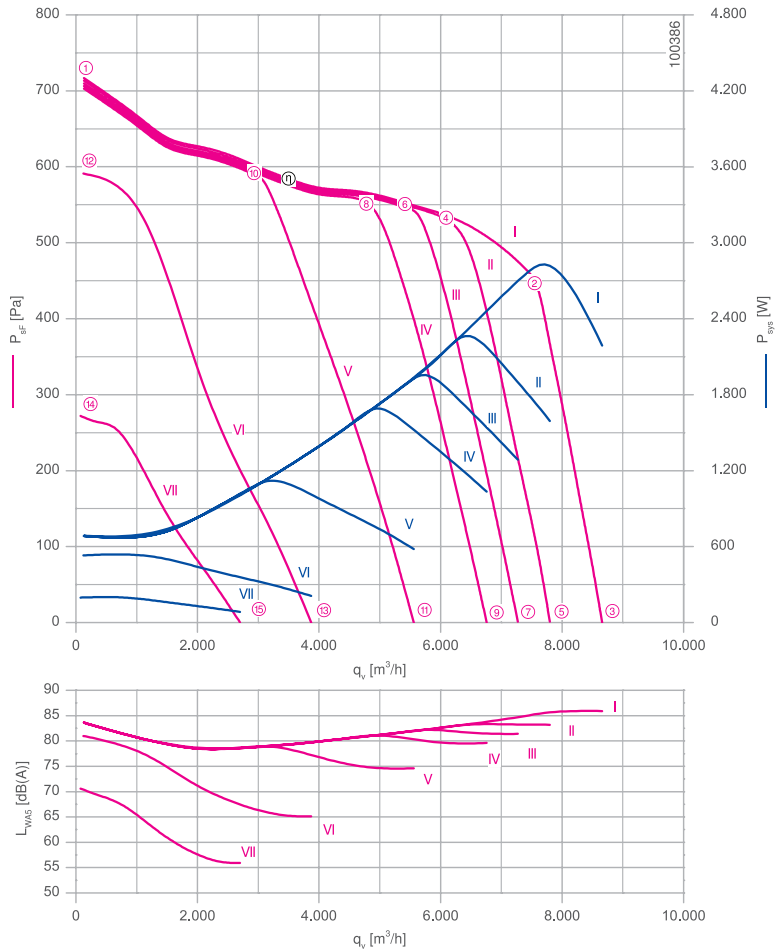
RG45R-ZIK



Description

Motor technology: EC
 Rated voltage U: **3-200-240 V***
 Rated frequency f: **50/60 Hz***
 Motor input power P: **2.80 kW***
 Rated current I: **8.60-7.20 A***
 Rated speed n: **920 min⁻¹***
 Thermal class: **THCL155***
 Min. permitted ambient temperature $t_{r, \text{min}}$: -20 °C
 Max. permitted ambient temperature $t_{r, \text{max}}$: 40 °C
 Electrical connection: integrated Controller
 Number of blades: 42
 Balancing quality: G 6.3
 Protection class: IP54
 Motor protection: Integrated active temperature management
 Impeller : Galvanised sheet metal, uncoated
 Conformity: ErP 2015, CE
ErP-data
 Efficiency η_{statA} : 50.8 %
 Efficiency: $N_{\text{actual}} = 56.6 / N_{\text{target}} = 44^{**}$
 EC controller integrated
 *Rated data
 **ErP 2015

Characteristic curve

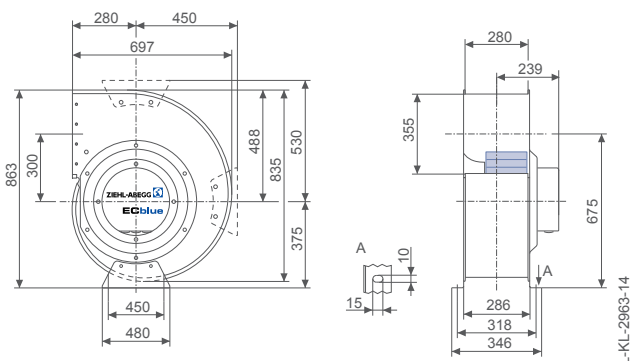


Measured with inlet ring, without guard grille according to ISO 5801

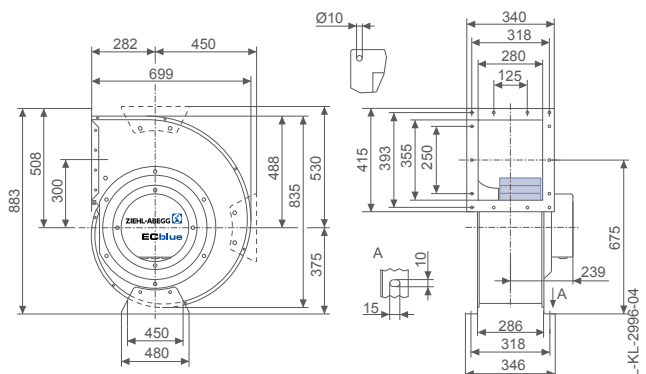
- Inlet ring 00411508 Page 264
- Connection diagram 1360-401 Page 366
- System components Page 262

Dimensions [mm]

Fan with housing, single inlet, without flange



Fan with housing, single inlet, with flange






Performance data



Type	Characteristic curve	Speed	Speed	Operating point	Current	Motor input power	Suction side sound power level	Maximum ambient temperature
		n [min ⁻¹]	%					
RG45R-ZIK.GL.4R	I	920	100	①	1.85	680	84	40
		920		②	7.40	2800	85	
		690		③	5.80	2200	86	
	II	920	80	④	6.00	2300	83	60
		620		⑤	4.20	1600	83	
	III	920	100	⑥	5.20	1950	82	
		580		⑦	3.40	1300	81	
	IV	920	100	⑧	4.40	1700	81	
		540		⑨	2.70	1050	80	
	V	920	100	⑩	3.00	1100	79	
		440		⑪	1.60	580	75	
	VI	850	90	⑫	1.45	540	81	
		310		⑬	0.68	210	65	
	VII	580	60	⑭	0.64	200	71	
		220		⑮	0.37	85	56	

Current values determined at 230V

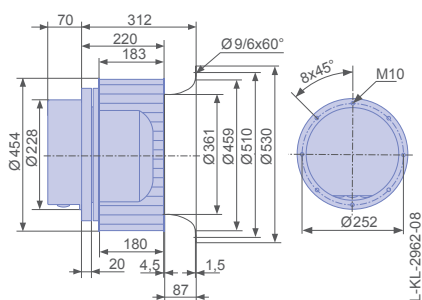
Fan ordering information

Design	RG (without flange)	RG (with flange)	RE
Installation position	H	H	H/Vu/Vo
			
Type	RG45R-ZIK.GL.4R	RG45R-ZIK.GL.4R	RE45P-ZIK.GL.1R
Article no.	114945	114946	114934
Weight [kg]	49.00	49.00	27.00
* Inlet ring not included			

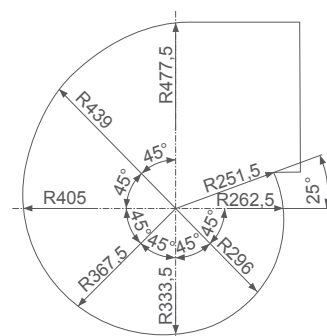
Control technology

Control module	Operating terminal	Expansion module
		
➤ Page 282	➤ Page 294	➤ Page 291

Motorised impeller



Used housing



RG..R-ECblue

for three phase alternating current, 380-480 V

RG45R-ZIK

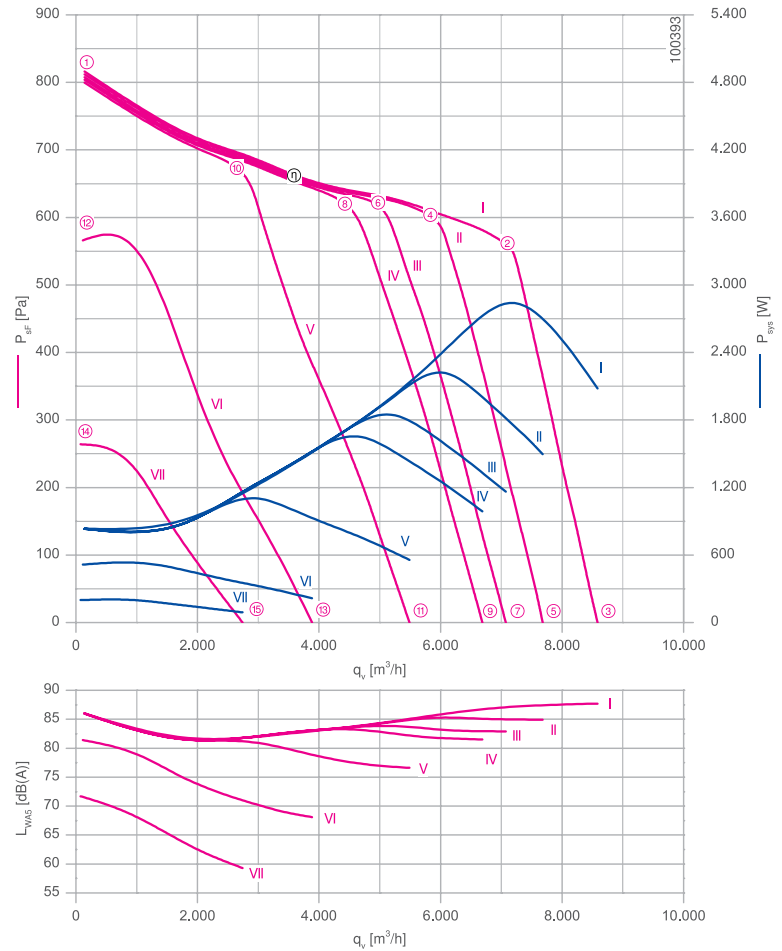


Description

Motor technology: EC
 Rated voltage U: **3-380-480 V***
 Rated frequency f: **50/60 Hz***
 Motor input power P: **2.90 kW***
 Rated current I: **4.60-3.70 A***
 Rated speed n: **980 min⁻¹***
 Thermal class: **THCL155***
 Min. permitted ambient temperature t_{r} : -20 °C
 Max. permitted ambient temperature t_{r} at n_{max} : 40 °C
 Electrical connection: integrated Controller
 Number of blades: 42
 Balancing quality: G 6.3
 Protection class: IP54
 Motor protection: Integrated active temperature management
 Impeller : Galvanised sheet metal, uncoated
 Conformity: ErP 2015, CE

ErP-data
 Efficiency η_{statA} : 51.3 %
 Efficiency: $N_{actual} = 56.6 / N_{target} = 44^{**}$
 EC controller integrated
 *Rated data
 **ErP 2015

Characteristic curve

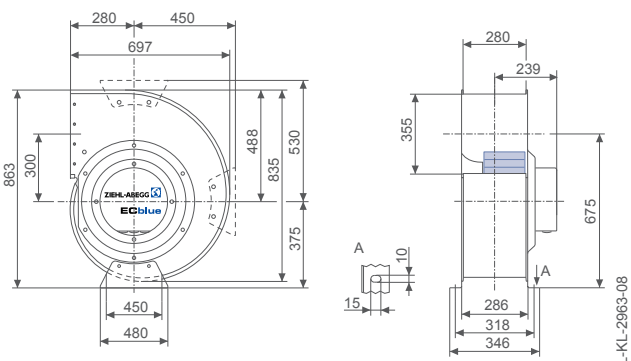


measured with inlet ring, without guard grille according to ISO 5801

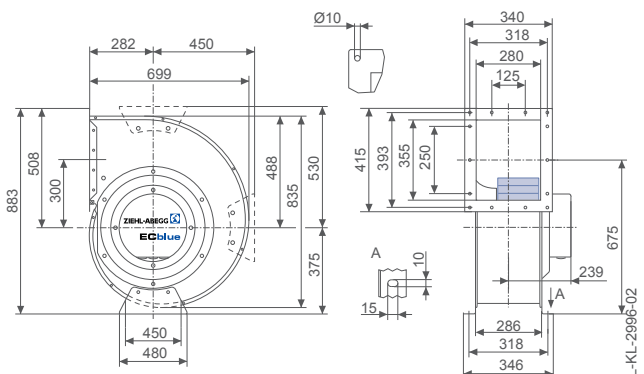
- Inlet ring 00411508 Page 264
- Connection diagram 1360-401 Page 366
- System components Page 262

Dimensions [mm]

Fan with housing, single inlet, without flange



Fan with housing, single inlet, with flange






Performance data




Type	Characteristic curve	Speed	Speed	Operating point	Current	Motor input power	Suction side sound power level	Maximum ambient temperature
		n [min ⁻¹]	%					
RG45R-ZIK.GL.4R	I	980	100	①	1.40	840	86	40
		980		②	4.40	2900	87	
		680		③	3.20	2100	88	
	II	980	80	④	3.50	2300	86	60
		610		⑤	2.30	1500	85	
		980		⑥	3.00	1950	84	
	III	560	67	⑦	1.85	1150	83	60
		980		⑧	2.60	1700	84	
	IV	530	60	⑨	1.60	980	82	60
		980		⑩	1.85	1150	82	
	V	440	40	⑪	1.00	560	77	60
		980		⑫	0.96	520	81	
	VI	830	80	⑬	0.54	220	68	60
		310		⑭	0.52	200	72	
	VII	570	60	⑮	0.33	90	59	60
230		⑮		0.33	90	59		

Current values determined at 400V

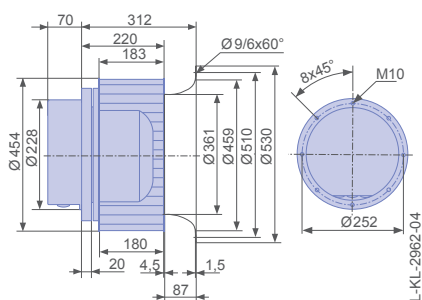
Fan ordering information

Design	RG (without flange)	RG (with flange)	RE
Installation position	H	H	H/Vu/Vo
			
Type	RG45R-ZIK.GL.4R	RG45R-ZIK.GL.4R	RE45P-ZIK.GL.1R
Article no.	114805	114806	114790
Weight [kg]	49.00	49.00	27.00
* Inlet ring not included			

Control technology

Control module	Operating terminal	Expansion module
		
➤ Page 282	➤ Page 294	➤ Page 291

Motorised impeller



Used housing

